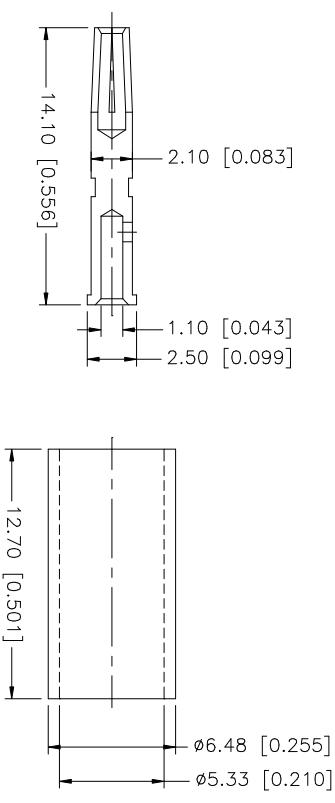
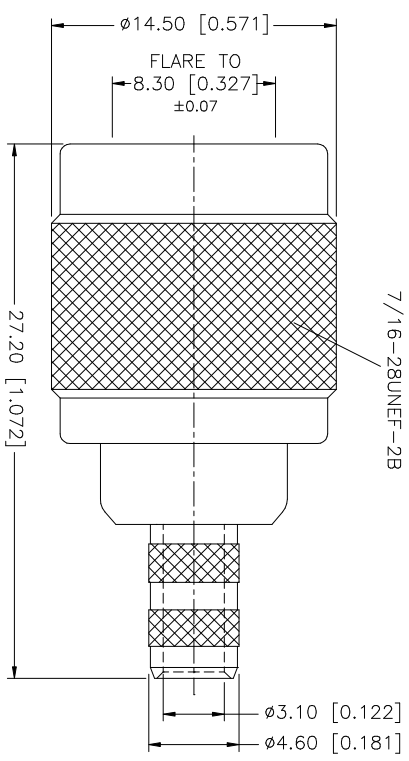
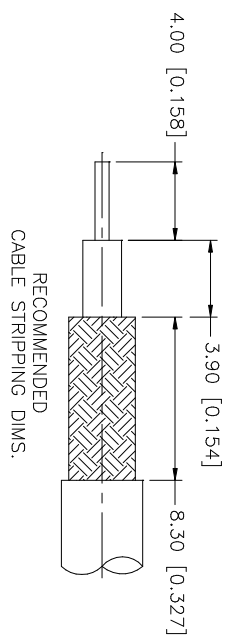


REV.	DATE	DESCRIPTION
A	02/24/03	UPDATE DRAWING FORMAT



- NOTE:
1. CRIMPED FERRULE
HEX CRIMP SIZE .213"
 2. CRIMPED CONTACT PIN
HEX CRIMP SIZE .068"

QTY	FINISH	MATERIAL	DESCRIPTION
1	NICKEL	COPPER	FERRULE
1	RED	RUBBER	GASKET
1	NATURAL	TEFLON	INSULATOR
1	GOLD	BRASS	CONTACT PIN
1	NICKEL	BRASS	SHELL/BODY

UNLESS OTHERWISE SPECIFIED DIMENSIONS ARE IN INCHES AND FOR CUSTOMER REFERENCE ONLY.	UNLESS OTHERWISE SPECIFIED DIMENSIONS ARE IN MILLIMETERS
TOLERANCES FOR ALL DIMS ARE:	TOLERANCES FOR ALL DIMS ARE:
0.5 - 8mm ± 0.20mm	8 - 30mm ± 0.40mm
30 - 120mm ± 0.50mm	
UNLESS OTHERWISE SPECIFIED DIMENSIONS FOR INCHES ARE:	UNLESS OTHERWISE SPECIFIED DIMENSIONS FOR MILLIMETERS ARE:
.020 - .315 = ± 0.007"	.315 - 1.180 = ± 0.015"
1.180 - 4.724 = ± 0.020"	

APPROVALS	DATE
DRAWN G.R.S.	02/24/03
CHECKED	
ISSUED	
SHEET 1 OF 1	

PART DESCRIPTION	PART NO.
TNC REVERSE POLARITY CRIMP PLUG (FOR RG-58/U, 141/U CABLE)	122108RP

CAD FILE	DWG. NO.	REV.	SIZE	SCALE
C:/122/122108RP.DWG	122108RP.DWG	A	A	NA

Amphenol Connex